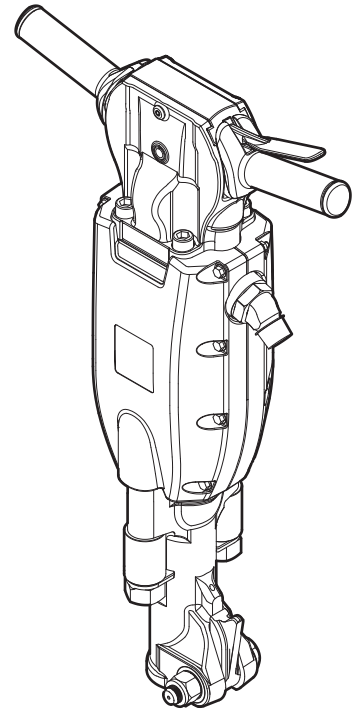




**Chicago  
Pneumatic**

## **Spare parts list**

**Handheld pneumatic breakers  
CP 1290, CP 1290 S, CP 1290 SVR**



**CONSTRUCTION EQUIPMENT & SUPPLY COMPANY**

**12650 West 64th Avenue; Unit E248**

**Arvada, Colorado 80004**

**Telephone: (303) 431-9929 FAX: (303) 425-5792 E-Mail: [COEQS@hotmail.com](mailto:COEQS@hotmail.com)**

**Websites: [www.sand-blasters.net](http://www.sand-blasters.net) & [www.coeqs.com](http://www.coeqs.com)**

**CONSTRUCTION EQUIPMENT & SUPPLY COMPANY**

**12650 West 64th Avenue; Unit E248**

**Arvada, Colorado 80004**

**Telephone: (303) 431-9929 FAX: (303) 425-5792 E-Mail: COEQS@hotmail.com**

**Websites: [www.sand-blasters.net](http://www.sand-blasters.net) & [www.coeqs.com](http://www.coeqs.com)**

# Contents

**General information** ..... 5

**Spare parts list** ..... 6

    CP 1290 ..... 6

    CP 1290 S ..... 10

    CP 1290 SVR ..... 14

**Working tools** ..... 17

    US standard hexagon 1½ x 6 in. (28 x 152 mm) ..... 17

    US standard hexagon 1¼ x 6 in. (32 x 152 mm) ..... 18

    ISO standard hexagon 28 x 160 mm (1½ x 6¼ in.) ..... 18

    ISO standard hexagon 32 x 160 mm (1¼ x 6¼ in.) ..... 19

**Accessories** ..... 20

    Hose rolls ..... 20

    Pre-mounted universal hoses with claw couplings ..... 20

    Water separator ..... 21

    Lubricator ..... 21

    CP airolene plus tool oil ..... 21

**CONSTRUCTION EQUIPMENT & SUPPLY COMPANY**  
**12650 West 64th Avenue; Unit E248**  
**Arvada, Colorado 80004**  
 Telephone: (303) 431-9929 FAX: (303) 425-5792 E-Mail: COEQS@hotmail.com  
 Websites: [www.sand-blasters.net](http://www.sand-blasters.net) & [www.coeqs.com](http://www.coeqs.com)

**CONSTRUCTION EQUIPMENT & SUPPLY COMPANY**

**12650 West 64th Avenue; Unit E248**

**Arvada, Colorado 80004**

**Telephone: (303) 431-9929 FAX: (303) 425-5792 E-Mail: COEQS@hotmail.com**

**Websites: [www.sand-blasters.net](http://www.sand-blasters.net) & [www.coeqs.com](http://www.coeqs.com)**

## General information

This spare parts list applies to the following:

Part number	Description
8900 0030 37	Handheld pneumatic breakers CP 1290 hexagon 1¼ x 6¼ in. (32 x 160 mm*)
8900 0030 38	Handheld pneumatic breakers CP 1290 hexagon 1⅝ x 6¼ in. (28 x 160 mm**)
8900 0030 39	Handheld pneumatic breakers CP 1290 S hexagon 1¼ x 6¼ in. (32 x 160 mm*)
8900 0030 40	Handheld pneumatic breakers CP 1290 S hexagon 1⅝ x 6¼ in. (28 x 160 mm**)
8900 0030 41	Handheld pneumatic breakers CP 1290 SVR hexagon 1¼ x 6¼ in. (32 x 160 mm*)
8900 0030 42	Handheld pneumatic breakers CP 1290 SVR hexagon 1⅝ x 6¼ in. (28 x 160 mm**)

\*) Also for 1¼ x 6 in. (32 x 152 mm)

\*\*\*) Also for 1⅝ x 6 in. (28 x 152 mm)

Use only authorized parts. Any damage or malfunction caused by the use of unauthorized parts is not covered by Warranty or Product Liability. Any unauthorized use or copying of the contents or any part thereof is prohibited. This applies in particular to trademarks, model denominations, part numbers, and drawings.

### Instructions for use

This spare parts list contains no safety regulations and is merely intended to assist in the ordering of spare parts.

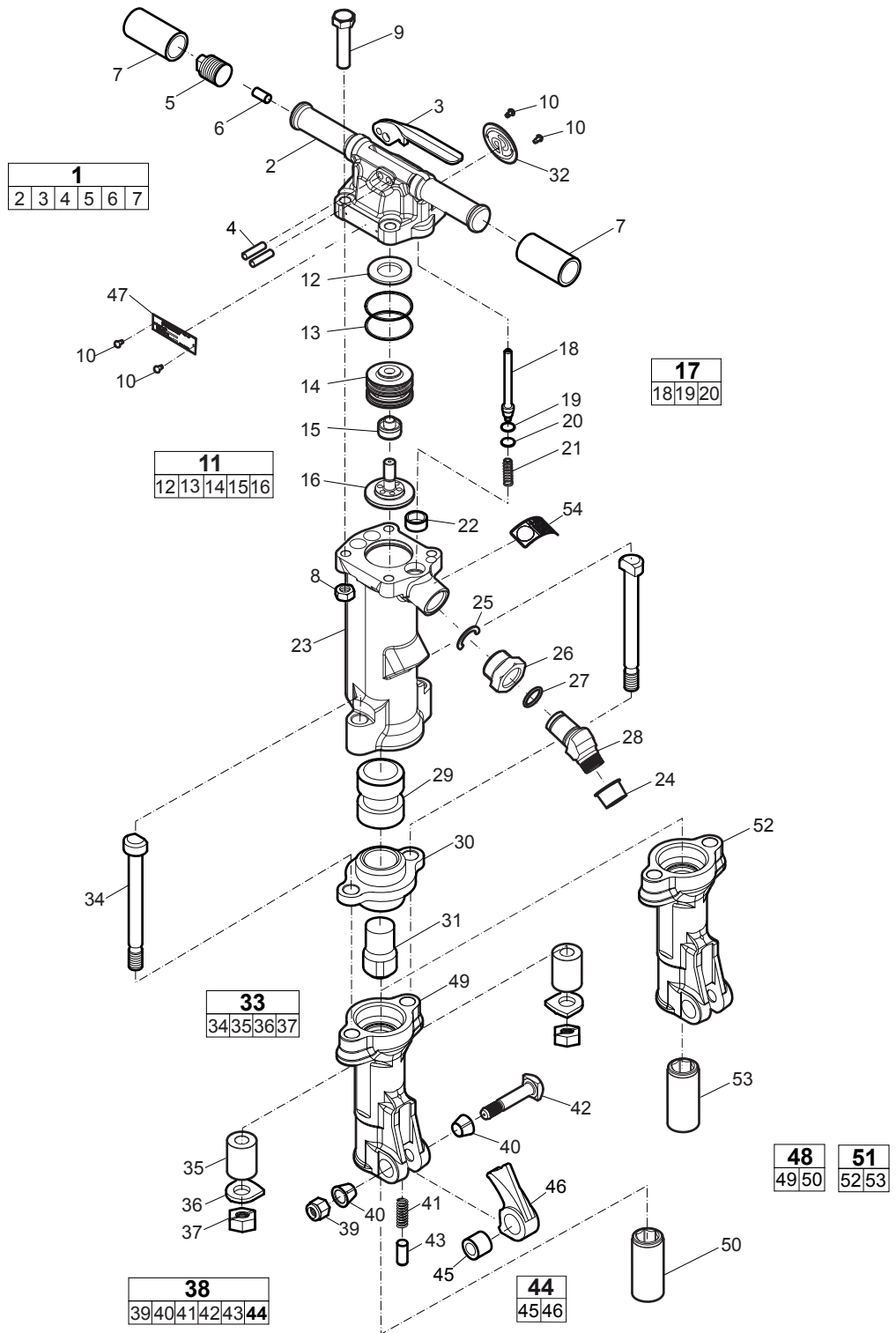
For information about operating, servicing, or repairing, the relevant Safety and operating instructions must be consulted at all costs.

Please observe the safety instructions listed in the relevant Safety and operating instructions!

**CONSTRUCTION EQUIPMENT & SUPPLY COMPANY**  
**12650 West 64th Avenue; Unit E248**  
**Arvada, Colorado 80004**  
**Telephone: (303) 431-9929 FAX: (303) 425-5792 E-Mail: COEQS@hotmail.com**  
**Websites: [www.sand-blasters.net](http://www.sand-blasters.net) & [www.coeqs.com](http://www.coeqs.com)**

# Spare parts list

## CP 1290



**CONSTRUCTION EQUIPMENT & SUPPLY COMPANY**

**12650 West 64th Avenue; Unit E248**

**Arvada, Colorado 80004**

Telephone: (303) 431-9929 FAX: (303) 425-5792 E-Mail: COEQS@hotmail.com

Websites: [www.sand-blasters.net](http://www.sand-blasters.net) & [www.coeqs.com](http://www.coeqs.com)

No.	Description	Remark	Quantity	Part number
<b>1(2-7)</b>	<b>Backhead, complete</b>		1	3303 0053 70
2	Backhead		1	-
3	Trigger		1	F814 725
4	Pin - spring		2	R133 433
5	Plug - oil		1	R075 031
6	Oil wick		1	C036 901
7	Rubber grip		2	3303 0052 76
8	Nut	M14	4	0261 1099 53
9	Screw	M14 x 60 mm 8.8	4	0147 1959 60
10	Drive screw		4	P081 333
<b>11(12-16)</b>	<b>Valve case, complete</b>		1	R122 977
12	Washer	PU	1	R085 259
13	O-ring		2	P083 094
14	Valve case		1	R092 904
15	Valve		1	R122 975
16	Guide - valve		1	R122 976
<b>17(18-20)</b>	<b>Valve throttle, complete</b>		1	R092 894
18	Valve - throttle		1	-
19	Seal - throttle valve		1	R098 368
20	Retaining ring - valve seal		1	R098 369
21	Spring - throttle valve		1	R005 717
22	Seal - cylinder		1	R047 965
23	Cylinder		1	3303 0052 85
24	Plug	Transport protection. Remove before use.	1	-
25	Lock washer		1	3310 1059 00
26	Swivel nut		1	3310 1044 00
27	O-ring		1	0663 2126 00
28	Swivel		1	3303 0050 12
29	Piston		1	R000 127
30	Bushing - anvil block		1	R092 907
31	Block - anvil		1	R096 123
32	Product label	"CP"	1	3303 0053 10
<b>33(34-37)</b>	<b>Side bolt, complete</b>		1	3303 0053 74
34	Bolt - fronthead		2	F037 790
35	Buffer	PU	2	3303 0053 13
36	Lock washer - fronthead bolt		2	R096 059
37	Nut - fronthead bolt		2	F037 789
<b>38(39-43,44)</b>	<b>Latch, complete</b>		1	3303 0050 55
39	Nut	Nyloc	1	P008 999
40	Bushing - retainer latch		2	R076 562
41	Spring - plunger		1	R092 911
42	Bolt - latch		1	R076 853
43	Plunger - latch		1	R092 910
<b>44(45-46)</b>	<b>Latch retainer, complete</b>		1	R092 909
45	Bushing		1	R050 894
46	Latch- retainer		1	-
47	Data plate		1	-
<b>48(49-50)</b>	<b>Fronthead, complete</b>		1	R092 918
49	Fronthead	Hexagon, 32 mm Hexagon, 1 $\frac{1}{4}$ in.	1	-
50	Bushing - fronthead	Hexagon, 32 mm Hexagon, 1 $\frac{1}{4}$ in.	1	R040 635

<b>No.</b>	<b>Description</b>	<b>Remark</b>	<b>Quantity</b>	<b>Part number</b>
51(52-53)	<b>Fronthead, complete</b>		1	R092 917
52	Fronthead	Hexagon, 28 mm Hexagon, 1 1/8 in.	1	-
53	Bushing - fronthead	Hexagon, 28 mm Hexagon, 1 1/8 in.	1	R090 122
54	Label	Safety	1	3310 1602 00

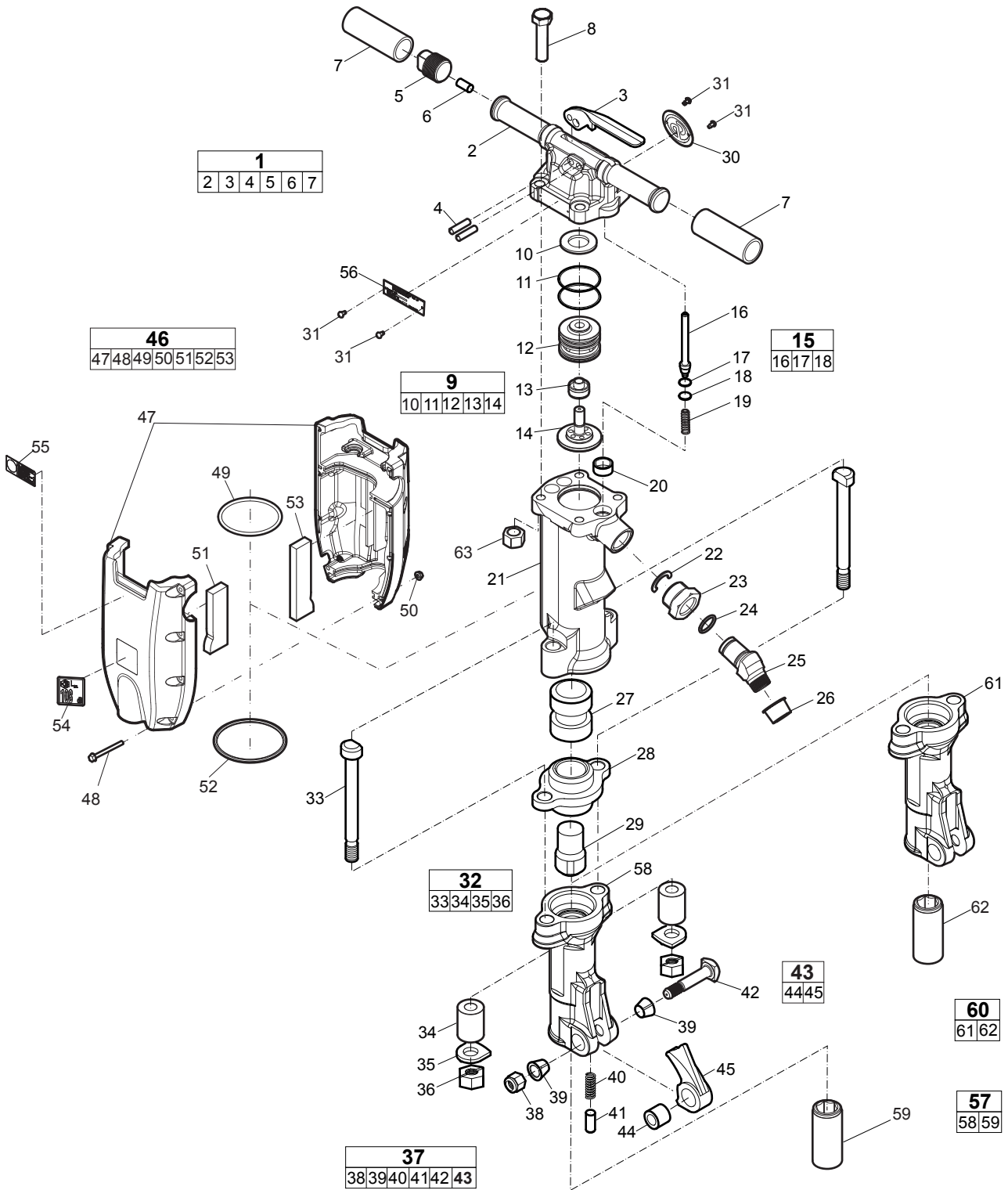
**CONSTRUCTION EQUIPMENT & SUPPLY COMPANY**  
**12650 West 64th Avenue; Unit E248**  
**Arvada, Colorado 80004**  
Telephone: (303) 431-9929 FAX: (303) 425-5792 E-Mail: COEQS@hotmail.com  
Websites: [www.sand-blasters.net](http://www.sand-blasters.net) & [www.coeqs.com](http://www.coeqs.com)



**CONSTRUCTION EQUIPMENT & SUPPLY COMPANY**  
**12650 West 64th Avenue; Unit E248**  
**Arvada, Colorado 80004**

Telephone: (303) 431-9929 FAX: (303) 425-5792 E-Mail: COEQS@hotmail.com  
Websites: [www.sand-blasters.net](http://www.sand-blasters.net) & [www.coeqs.com](http://www.coeqs.com)

# CP 1290 S



**CONSTRUCTION EQUIPMENT & SUPPLY COMPANY**  
 12650 West 64th Avenue; Unit E248  
 Arvada, Colorado 80004  
 Telephone: (303) 431-9929 FAX: (303) 425-5792 E-Mail: COEQS@hotmail.com  
 Websites: www.sand-blasters.net & www.coeqs.com

No.	Description	Remark	Quantity	Part number
<b>1(2-7)</b>	<b>Backhead, complete</b>		1	3303 0053 70
2	Backhead		1	-
3	Trigger		1	F814 725
4	Pin - spring		2	R133 433
5	Plug - oil		1	R075 031
6	Oil wick		1	C036 901
7	Rubber grip		2	3303 0052 76
8	Screw	M14 x 60 mm 8.8	4	0147 1959 60
<b>9(10-14)</b>	<b>Valve case, complete</b>		1	R122 977
10	Washer	PU	1	R085 259
11	O-ring		2	P083 094
12	Valve case		1	R092 904
13	Valve		1	R122 975
14	Guide valve		1	R122 976
<b>15(16-18)</b>	<b>Throttle valve, complete</b>		1	R092 894
16	Throttle valve		1	-
17	Seal - throttle valve		1	R098 368
18	Retaining ring - valve seal		1	R098 369
19	Spring - throttle valve		1	R005 717
20	Seal - cylinder		1	R047 965
21	Cylinder		1	3303 0052 85
22	Swivel nut		1	3310 1044 00
23	Lock washer		1	3310 1059 00
24	O-ring		1	0663 2126 00
25	Swivel		1	3303 0050 12
26	Plug	Transport protection. Remove before use.	1	C090 659
27	Piston		1	R000 127
28	Bushing - anvil block		1	R092 907
29	Block - anvil		1	R096 123
30	Product label	"CP"	1	3303 0053 10
31	Drive screw		4	P081 333
<b>32(33-36)</b>	<b>Side bolt, complete</b>		1	3303 0053 74
33	Bolt - fronthead		2	F037 790
34	Buffer	PU	2	3303 0053 13
35	Lock washer - fronthead bolt		2	R096 059
36	Nut - fronthead bolt		2	F037 789
<b>37(38-42,43)</b>	<b>Latch, complete</b>		1	3303 0050 55
38	Lock nut		1	P008 999
39	Bushing - latch retainer		2	R076 562
40	Spring - plunger		1	R092 911
41	Plunger - latch		1	R092 910
42	Bolt - latch		1	R076 853
<b>43(44-45)</b>	<b>Latch retainer, complete</b>		1	R092 909
44	Bushing		1	R050 894
45	Latch - retainer		1	-
<b>46(47-53)</b>	<b>Muffler, complete</b>		1	3303 0053 77
47	Muffler		1	3303 0053 20
48	Flange screw		8	0147 3000 32
49	O-ring	ø94.1 x 5.7 mm ø3.70 x 0.22 in.	1	0663 2146 00
50	Flange nut		8	9232 0207 50
51	Separation wall		1	3303 0052 98
52	O-ring	ø109.1 x 5.7 mm ø4.30 x 0.22 in.	1	0663 2149 00

No.	Description	Remark	Quantity	Part number
53	Separation wall		1	3303 0052 97
54	Label	Sound power level 111 dB	1	H418 4044
55	Label	Safety	1	3310 1602 00
56	Data plate		1	-
<b>57(58-59)</b>	<b>Fronthead, complete</b>		1	R092 918
58	Fronthead	Hexagon, 32 mm Hexagon, 1¼ in.	1	-
59	Bushing - fronthead	Hexagon, 32 mm Hexagon, 1¼ in.	1	R040 635
<b>60(61-62)</b>	<b>Fronthead, complete</b>		1	R092 917
61	Fronthead	Hexagon, 28 mm Hexagon, 1½ in.	1	-
62	Bushing - fronthead	Hexagon, 28 mm Hexagon, 1½ in.	1	R090 122
63	Nut	M14	4	0261 1099 53

**CONSTRUCTION EQUIPMENT & SUPPLY COMPANY**  
**12650 West 64th Avenue; Unit E248**  
**Arvada, Colorado 80004**  
**Telephone: (303) 431-9929 FAX: (303) 425-5792 E-Mail: COEQS@hotmail.com**  
**Websites: [www.sand-blasters.net](http://www.sand-blasters.net) & [www.coeqs.com](http://www.coeqs.com)**

**CONSTRUCTION EQUIPMENT & SUPPLY COMPANY**

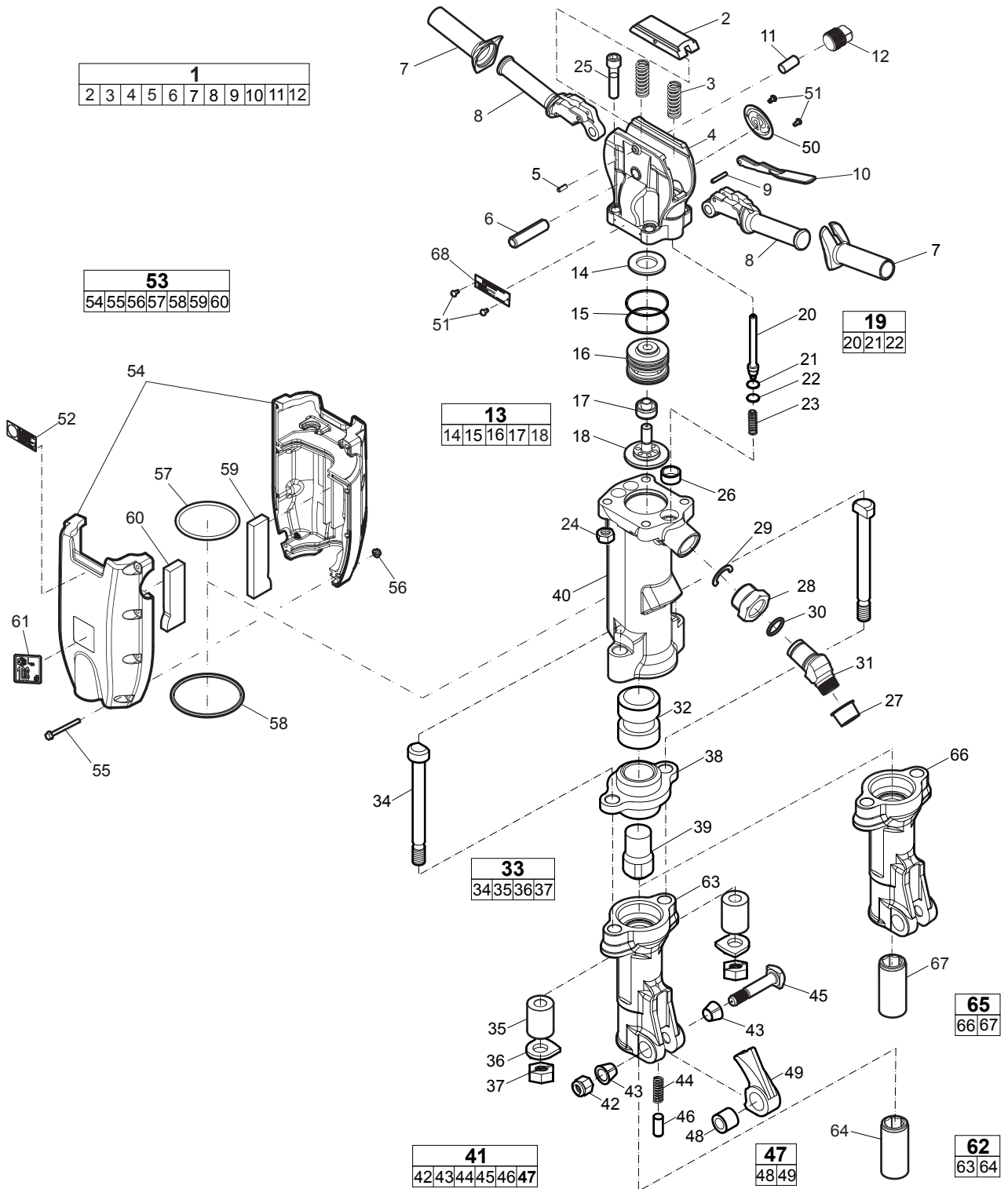
**12650 West 64th Avenue; Unit E248**

**Arvada, Colorado 80004**

**Telephone: (303) 431-9929 FAX: (303) 425-5792 E-Mail: COEQS@hotmail.com**

**Websites: [www.sand-blasters.net](http://www.sand-blasters.net) & [www.coeqs.com](http://www.coeqs.com)**

# CP 1290 SVR



**CONSTRUCTION EQUIPMENT & SUPPLY COMPANY**

**12650 West 64th Avenue; Unit E248**

**Arvada, Colorado 80004**

Telephone: (303) 431-9929 FAX: (303) 425-5792 E-Mail: COEQS@hotmail.com

Websites: [www.sand-blasters.net](http://www.sand-blasters.net) & [www.coeqs.com](http://www.coeqs.com)

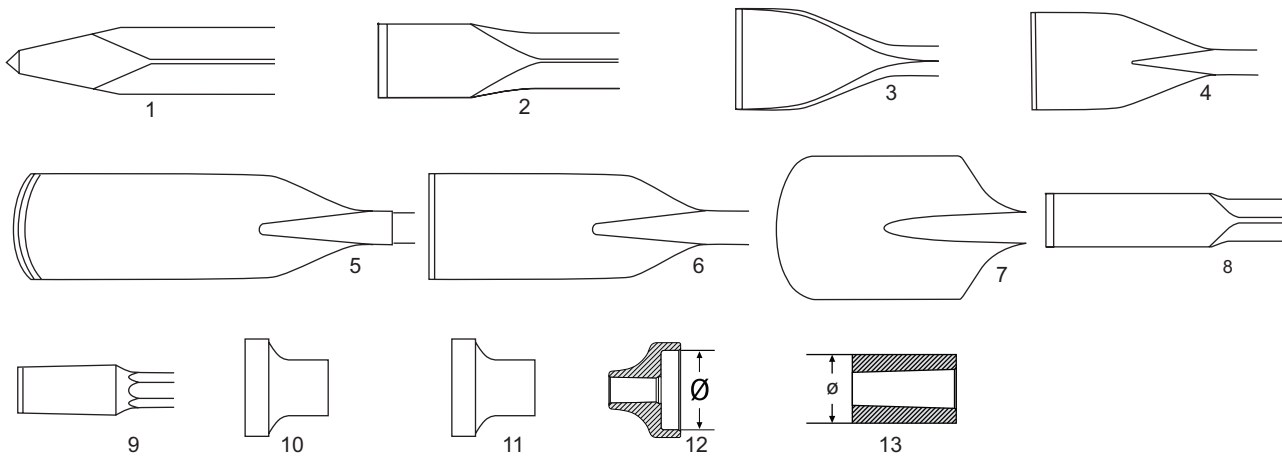
No.	Description	Remark	Quantity	Part number
<b>1(2-12)</b>	<b>Backhead, complete</b>		1	3303 0053 78
2	Cover		1	3303 0053 64
3	Spring - handle		2	3303 0053 62
4	Backhead		1	-
5	Spring pin		1	0108 1322 00
6	Spring pin	ø16 x 65 mm ø0.63 x 2.56 in.	1	0108 1535 00
7	Rubber grip		2	3303 0053 07
8	Handle		2	3303 0052 81
9	Spring pin	ø6 x 36 mm ø0.24 x 1.42 in.	1	0108 1331 00
10	Trigger		1	3303 0053 05
11	Oil wick		1	C036 901
12	Plug - oil		1	R075 031
<b>13(14-18)</b>	<b>Valve case, complete</b>		1	R122 977
14	Washer	PU	1	R085 259
15	O-ring		2	P083 094
16	Valve case		1	R092 904
17	Valve		1	R122 975
18	Guide - valve		1	R122 976
<b>19(20-22)</b>	<b>Valve throttle, complete</b>		1	3303 0053 79
20	Valve - throttle		1	-
21	Seal - throttle valve		1	R098 368
22	Retaining ring - valve seal		1	R098 369
23	Spring - throttle valve		1	R005 717
24	Nut	M14	4	0261 1099 53
25	Screw	M14 x 60 mm 10.9	4	0211 1711 05
26	Seal - cylinder		1	R047 965
27	Plug - pipe		1	C090 659
28	Swivel nut		1	3310 1044 00
29	Lock washer		1	3310 1059 00
30	O-ring		1	0663 2126 00
31	Swivel		1	3303 0050 12
32	Piston		1	R000 127
<b>33(34-37)</b>	<b>Side bolt, complete</b>		1	3303 0053 74
34	Bolt - fronthead		2	F037 790
35	Buffer	PU	2	3303 0053 13
36	Lock washer - fronthead bolt		2	R096 059
37	Nut - fronthead		2	F037 789
38	Bushing - anvil block		1	R092 907
39	Block - anvil		1	R096 123
40	Cylinder		1	3303 0052 85
<b>41(42-46,47)</b>	<b>Latch, complete</b>		1	3303 0050 55
42	Lock nut		1	P008 999
43	Bushing - latch retainer		2	R076 562
44	Spring - plunger		1	R092 911
45	Bolt - latch		1	R076 853
46	Plunger - latch		1	R092 910
<b>47(48-49)</b>	<b>Latch retainer, complete</b>		1	R092 909
48	Bushing		1	R050 894
49	Latch - retainer		1	-
50	Product label	"CP"	1	3303 0053 10
51	Drive screw		4	P081 333
52	Label	Safety	1	3310 1602 00

No.	Description	Remark	Quantity	Part number
<b>53(54-60)</b>	<b>Muffler, complete</b>		1	3303 0053 77
54	Muffler		1	3303 0053 20
55	Flange screw		8	0147 3000 32
56	Flange nut		8	9232 0207 50
57	O-ring	ø94.1 x 5.7 mm ø3.70 x 0.22 in.	1	0663 2146 00
58	O-ring	ø109.1 x 5.7 mm ø4.30 x 0.22 in	1	0663 2149 00
59	Separation wall		1	3303 0052 97
60	Separation wall		1	3303 0052 98
61	Label	Sound power level 111 dB	1	H418 4044
<b>62(63-64)</b>	<b>Fronthead, complete</b>		1	R092 918
63	Fronthead	Hexagon, 32 mm Hexagon, 1¼ in.	1	-
64	Bushing - fronthead	Hexagon, 32 mm Hexagon, 1¼ in.	1	R040 635
<b>65(66-67)</b>	<b>Fronthead, complete</b>		1	R092 917
66	Fronthead	Hexagon, 28 mm Hexagon, 1⅛ in.	1	-
67	Bushing - fronthead	Hexagon, 28 mm Hexagon, 1⅛ in.	1	R090 122
68	Data plate		1	-

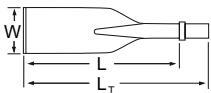
**CONSTRUCTION EQUIPMENT & SUPPLY COMPANY**  
**12650 West 64th Avenue; Unit E248**  
**Arvada, Colorado 80004**  
 Telephone: (303) 431-9929 FAX: (303) 425-5792 E-Mail: COEQS@hotmail.com  
 Websites: [www.sand-blasters.net](http://www.sand-blasters.net) & [www.coeqs.com](http://www.coeqs.com)



# Working tools



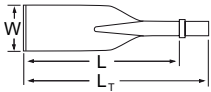
## US standard hexagon 1 1/8 x 6 in. (28 x 152 mm)



Point to flat

No.	Description	W (in.)	L (in.)	L <sub>T</sub> (in.)	Wt (lb)	Part number
1	Moil point	-	14	20	6.0	3083 3267 00
		-	18	24	7.1	3083 4015 10
		-	24	30	9.0	3083 4015 20
		-	36	42½	12.8	3083 4015 30
2	Narrow chisel	-	14	20	6.0	3083 3268 00
		-	18	24	7.1	3083 4016 10
		-	24	30½	9.0	3083 4016 20
		-	36	42½	12.8	3083 4016 30
3	Wide chisel	3	15	21	6.8	3083 3289 00
		3	18	24	7.7	3083 4017 00
		3	24	31	9.5	3083 4017 10
		3	36	42½	13.0	3083 4017 20
4	Asphalt cutter	4½	11	17½	7.7	3083 4019 00
		5	13	19½	9.0	3083 3290 00
5	Digging chisel	3	15	21	9.0	3083 3291 00
6	Digging spade	5	13	19	9.0	3083 3292 00
7	Clay spade	5½	15	21	9.9	3083 3293 00
8	Wedge chisel	2	16	22	11.0	3083 3294 00
9	Shaft for tamping pad	-	9	16	6.4	3083 3269 00
10	Tamping pad, round	Ø7	-	-	15.7	3083 3301 00
11	Tamping pad, square	6	-	-	18.1	3083 3302 00
		8	-	-	22.0	3083 3197 00
12	Driving pad	Ø4¾	-	-	16.8	3376 1120 79
		Ø6	-	-	19.2	3376 1120 77
13	Driver blank	Ø3	-	-	7.5	9245 2827 10

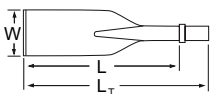
## US standard hexagon 1¼ x 6 in. (32 x 152 mm)



Point to flat

No.	Description	W (in.)	L (in.)	L <sub>T</sub> (in.)	Wt (lb)	Part number
1	Moil point	-	14	20	7.3	3083 3285 00
		-	18	24	8.6	3083 4000 10
		-	24	30½	11.2	3083 4000 20
		-	36	42½	15.4	3083 4000 30
2	Narrow chisel	-	14	20	7.0	3083 3286 00
		-	18	24	8.4	3083 4001 10
		-	24	30½	10.8	3083 4001 20
		-	36	42½	15.4	3083 4001 30
3	Wide chisel	3	15	20	7.9	3083 3295 00
		3	18	24	9.3	3083 4002 00
		3	24	30½	11.2	3083 4002 10
		3	36	42½	14.8	3083 4002 20
4	Asphalt cutter	4½	12	18½	8.8	3083 4004 00
		5	13	19½	9.0	3083 3296 00
5	Digging chisel	3	15	21	9.9	3083 3297 00
6	Digging spade	5	13	19	9.5	3083 3298 00
7	Clay spade	5½	15	21	11.7	3083 3299 00
8	Wedge chisel	2	16	22	11.5	3083 3300 00
9	Shaft for tamping pad	-	9	16	6.8	3083 3287 00
10	Tamping pad, round	Ø7	-	-	15.7	3083 3301 00
11	Tamping pad, square	6	-	-	18.1	3083 3302 00
		8	-	-	22.0	3083 3197 00
12	Driving pad	Ø4¾	-	-	16.8	3376 1120 79
		Ø6	-	-	19.2	3376 1120 77
13	Driver blank	Ø3	-	-	7.5	9245 2827 10

## ISO standard hexagon 28 x 160 mm (1⅛ x 6¼ in.)

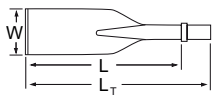


Point to flat

No.	Description	W (mm)	L (mm)	L <sub>T</sub> (mm)	Wt (kg)	Part number
1	Moil point	-	380	545	2.9	3083 3271 00
		-	450	615	3.2	3083 3272 00
		-	1000	1165	6.2	3083 3273 00
2	Narrow chisel	-	380	545	2.8	3083 3274 00
		-	450	615	3.3	3083 3275 00
		-	1000	1165	6.4	3083 3276 00
3	Wide chisel	75	380	545	3.0	3083 3277 00
4	Asphalt cutter	115	300	465	3.7	3083 3278 00
5	Digging chisel	75	380	545	4.1	3083 3279 00
6	Digging spade	125	380	545	4.6	3083 3280 00
7	Clay spade	140	380	545	4.1	3083 3281 00
8	Wedge chisel	40	400	565	3.9	3083 3282 00

No.	Description	W (mm)	L (mm)	L <sub>T</sub> (mm)	Wt (kg)	Part number
9	Shaft for tamping pad	-	230	395	3.0	3083 3283 01
10	Tamping pad, round	Ø180	-	-	7.1	3083 3301 00
11	Tamping pad, square	150 200	- -	- -	8.2 10.0	3083 3302 00 3083 3197 00
12	Driving pad	Ø120 Ø150	- -	- -	7.6 8.7	3376 1120 79 3376 1120 77
13	Driver blank	Ø80	-	-	3.4	9245 2827 10

## ISO standard hexagon 32 x 160 mm (1¼ x 6¼ in.)



Point to flat

No.	Description	W (mm)	L (mm)	L <sub>T</sub> (mm)	Wt (kg)	Part number
1	Moil point	-	380 450 1000	545 615 1165	3.5 3.9 7.6	3083 3205 00 3083 3206 00 3083 3207 00
2	Narrow chisel	-	380 450 1000	545 615 1165	3.5 4.0 7.5	3083 3208 00 3083 3209 00 3083 3210 00
3	Wide chisel	75	380	545	3.7	3083 3211 00
4	Asphalt cutter	115	300	465	4.0	3083 3212 00
5	Digging chisel	75	380	545	4.4	3083 3213 00
6	Digging spade	125	380	545	4.9	3083 3214 00
7	Clay spade	140	380	545	4.4	3083 3215 00
8	Wedge chisel	40	400	565	3.8	3083 3216 00
9	Shaft for tamping pad	-	235	400	3.1	3083 3218 01
10	Tamping pad, round	Ø180	-	-	7.1	3083 3301 00
11	Tamping pad, square	150 200	- -	- -	8.2 10.0	3083 3302 00 3083 3197 00
12	Driving pad	Ø120 Ø150	- -	- -	7.6 8.7	3376 1120 79 3376 1120 77
13	Driver blank	Ø80	-	-	3.4	9245 2827 10

**CONSTRUCTION EQUIPMENT & SUPPLY COMPANY**

**12650 West 64th Avenue; Unit E248**

**Arvada, Colorado 80004**

Telephone: (303) 431-9929 FAX: (303) 425-5792 E-Mail: COEQS@hotmail.com

Websites: [www.sand-blasters.net](http://www.sand-blasters.net) & [www.coeqs.com](http://www.coeqs.com)

## Accessories

### Hose rolls

#### Metric

Description	Inner diameter (mm)	Thickness (mm)	Maximum working pressure (bar)	Length of roll (m)	Weight (kg)	Part number
Red-X hose roll	19	2.0	20	60	11	8900 0050 10
Red-X hose roll	19	2.0	20	100	18	8900 0050 11
Red-X hose roll	19	2.0	20	200	36	8900 0050 12
Red-X hose roll	25	2.5	20	60	15	8900 0050 20
Red-X hose roll	25	2.5	20	100	25	8900 0050 21
Red-X hose roll	25	2.5	20	200	50	8900 0050 22

#### Imperial

Description	Inner diameter (in.)	Thickness (in.)	Maximum working pressure (psi)	Length of roll (ft)	Weight (lb)	Part number
Red-X hose roll	¾	⅝	290	195	24.3	8900 0050 10
Red-X hose roll	¾	⅝	290	325	39.7	8900 0050 11
Red-X hose roll	¾	⅝	290	650	79.4	8900 0050 12
Red-X hose roll	1	⅜	290	195	33.1	8900 0050 20
Red-X hose roll	1	⅜	290	325	55.1	8900 0050 21
Red-X hose roll	1	⅜	290	650	110.2	8900 0050 22

### Pre-mounted universal hoses with claw couplings

#### Metric

Description	Inner diameter (mm)	Thickness (mm)	Maximum working pressure (bar)	Length of roll (m)	Weight (kg)	Part number
Red-X universal hose	19	2.0	20	20	4.5	8900 0050 09
Red-X universal hose	25	2.5	20	20	6.0	8900 0050 23

#### Imperial

Description	Inner diameter (in.)	Thickness (in.)	Maximum working pressure (psi)	Length of roll (ft)	Weight (lb)	Part number
Red-X universal hose	¾	⅝	290	50	8.8	8900 0050 08
Red-X universal hose	1	⅜	290	50	11.0	8900 0050 24

## Water separator

### Metric

Description	Hose connection (mm)	Air flow (l/s)	Weight (kg)	Part number
Water separator (¾ in. BSP)	20	61	0.8	8900 0050 00

### Imperial

Description	Hose connection (in.)	Air flow (foot <sup>3</sup> /min)	Weight (lb)	Part number
Water separator (¾ in. NPT)	¾	130	1.8	8900 0050 01

## Lubricator

### Metric

Description	Hose connection (mm)	Air flow (l/s)	Oil volume (l)	Weight (kg)	Part number
Lubricator 1300 (1 in. BSP)	25	15-140	1.3	3	8900 0050 02

### Imperial

Description	Hose connection (in.)	Air flow (foot <sup>3</sup> /min)	Oil volume (US gallon)	Weight (lb)	Part number
Lubricator 43 (1 in. NPT)	1	32-300	0.34	6.6	8900 0050 07

## CP airolene plus tool oil

### Metric

Description	Oil volume (l)	Part number
5 l container	5	8099 0202 49
4 x 5 l container	20	8099 0202 51

### Imperial

Description	Oil volume (US gallon)	Part number
1.32 US gallon container	1.32	8099 0202 49
4 x 1.32 US gallon container	5.28	8099 0202 51

**CONSTRUCTION EQUIPMENT & SUPPLY COMPANY**

**12650 West 64th Avenue; Unit E248**

**Arvada, Colorado 80004**

Telephone: (303) 431-9929 FAX: (303) 425-5792 E-Mail: COEQS@hotmail.com

Websites: [www.sand-blasters.net](http://www.sand-blasters.net) & [www.coeqs.com](http://www.coeqs.com)

**CONSTRUCTION EQUIPMENT & SUPPLY COMPANY**

**12650 West 64th Avenue; Unit E248**

**Arvada, Colorado 80004**

**Telephone: (303) 431-9929 FAX: (303) 425-5792 E-Mail: COEQS@hotmail.com**

**Websites: [www.sand-blasters.net](http://www.sand-blasters.net) & [www.coeqs.com](http://www.coeqs.com)**

**CONSTRUCTION EQUIPMENT & SUPPLY COMPANY**

**12650 West 64th Avenue; Unit E248**

**Arvada, Colorado 80004**

**Telephone: (303) 431-9929 FAX: (303) 425-5792 E-Mail: COEQS@hotmail.com**

**Websites: [www.sand-blasters.net](http://www.sand-blasters.net) & [www.coeqs.com](http://www.coeqs.com)**



**Chicago  
Pneumatic**

**CONSTRUCTION EQUIPMENT & SUPPLY COMPANY**

**12650 West 64th Avenue; Unit E248**

**Arvada, Colorado 80004**

**Telephone: (303) 431-9929 FAX: (303) 425-5792 E-Mail: [COEQS@hotmail.com](mailto:COEQS@hotmail.com)**

**Websites: [www.sand-blasters.net](http://www.sand-blasters.net) & [www.coeqs.com](http://www.coeqs.com)**